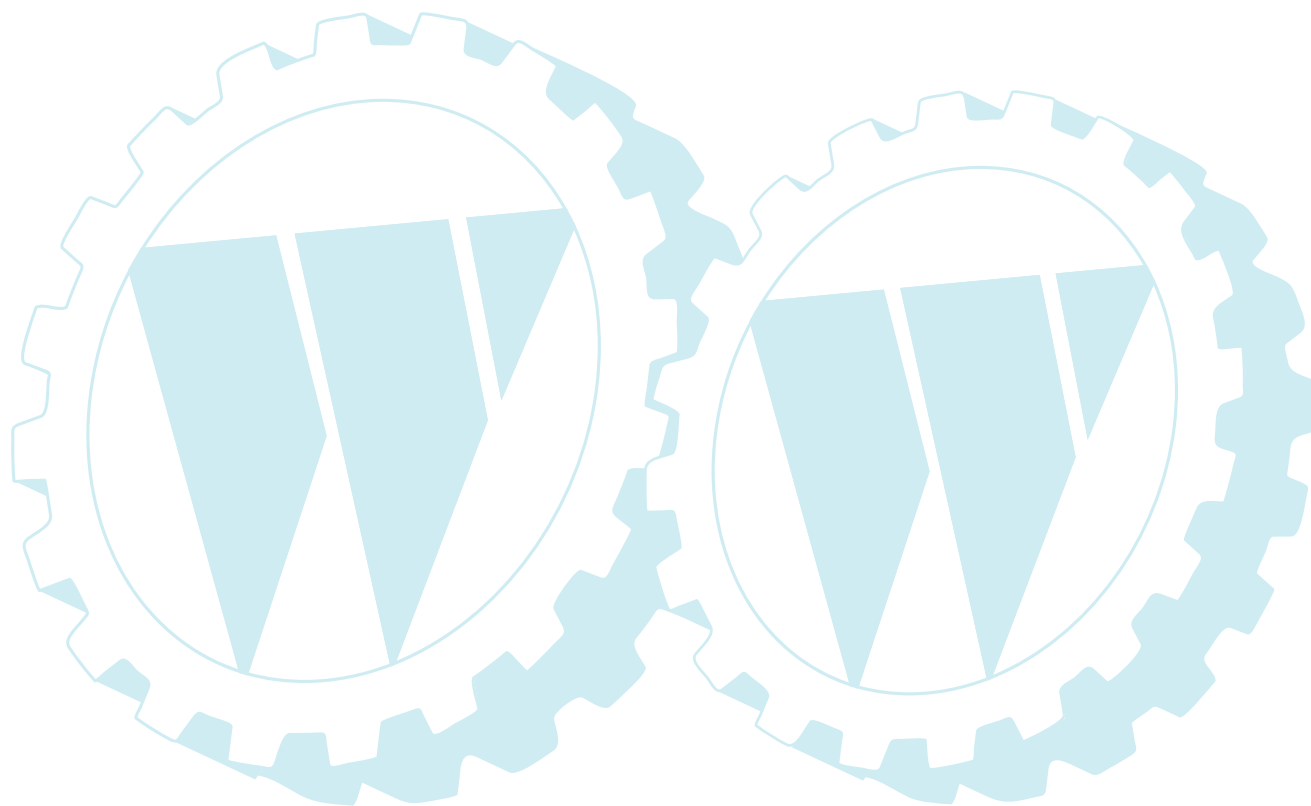


ILLUSTRATED PARTS LIST

MFG ID NO. 96011007700

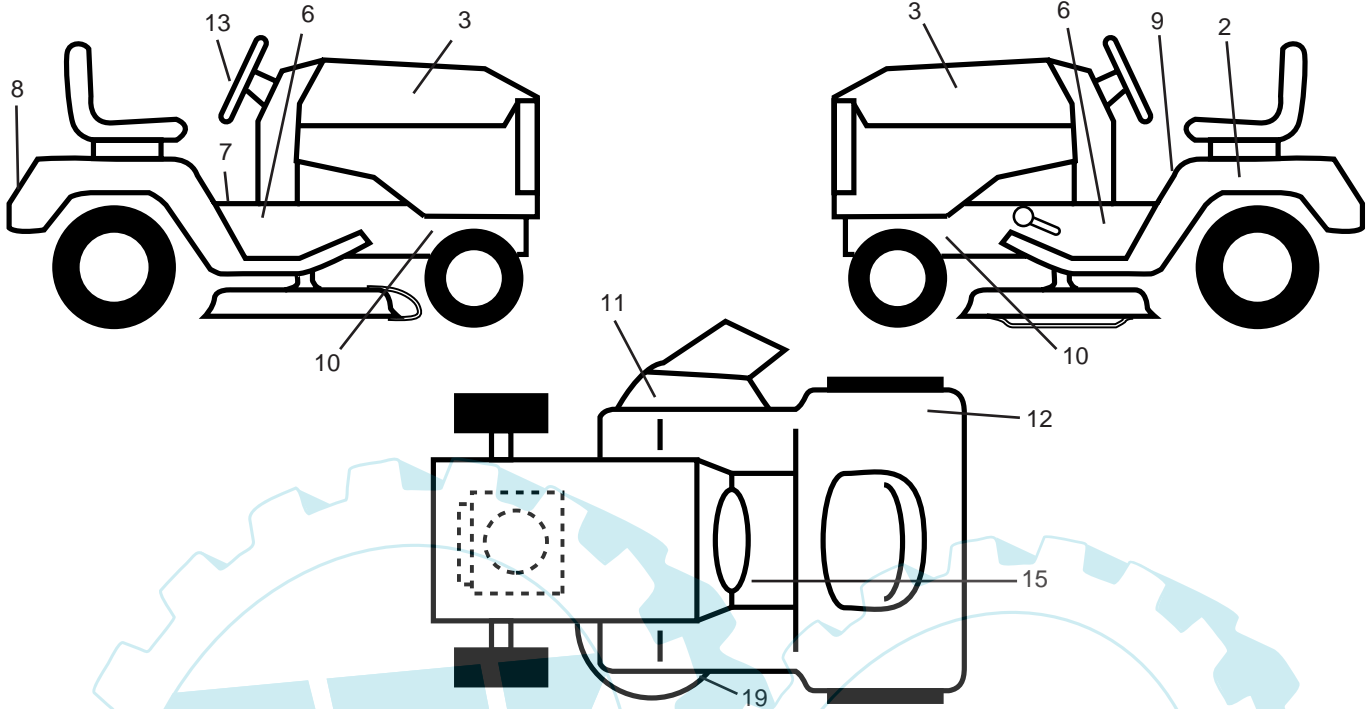
CUSTOMER CATALOG NO. FL1292

PRODUCT NO. 960 11 00-77



REPAIR PARTS

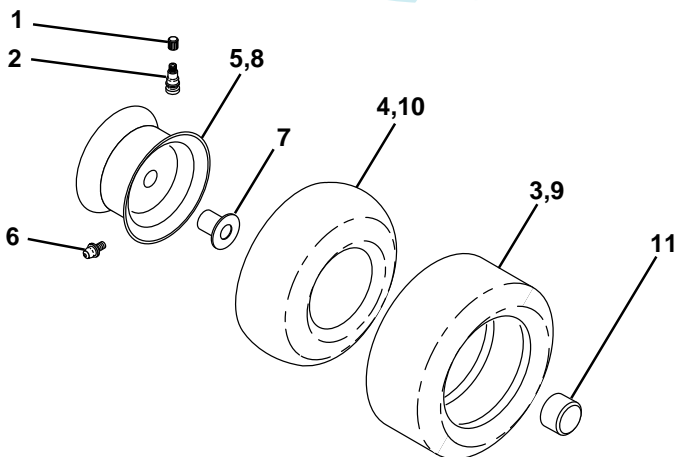
TRACTOR- -MODEL NO. FL1292 (96011007700) PRODUCT NO. 960 11 00-77
DECALS



| KEY NO. | PART NO. | DESCRIPTION |
|---------|--------------|-------------------------------|
| 2 | 532 14 50-05 | Decal Bat Dan/Poi P/L Symbols |
| 3 | 532 19 59-52 | Decal Hood |
| 6 | 532 18 56-51 | Decal Chas. Turbo Collection |
| 7 | 532 14 08-37 | Decal Saddle Brake Parking |
| 8 | 532 19 59-53 | Decal Fender Logo |
| 9 | 532 14 54-98 | Decal Read Owners Manual Syms |
| 10 | 532 15 97-36 | Decal Chassis Hot Muffler |
| 11 | 532 18 21-66 | Decal Mower Cut finger Symbol |

| KEY NO. | PART NO. | DESCRIPTION |
|---------|--------------|---------------------------------|
| 12 | 532 18 04-32 | Decal 100 DbA |
| 13 | 532 19 59-54 | Decal Strg Wheel Cap |
| 15 | 532 15 97-37 | Decal Brake/Clutch |
| 19 | 532 13 68-32 | Decal V-Belt Sch |
| -- | 532 16 25-98 | Decal Drawbar Load Limit |
| -- | 532 13 83-11 | Decal Lift Handle (Lift Handle) |
| -- | 532 18 51-49 | Manual Operator's Euro |
| -- | 532 18 52-38 | Manual Operator's Scan |

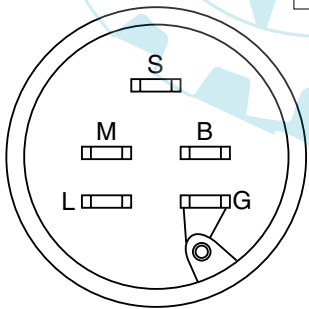
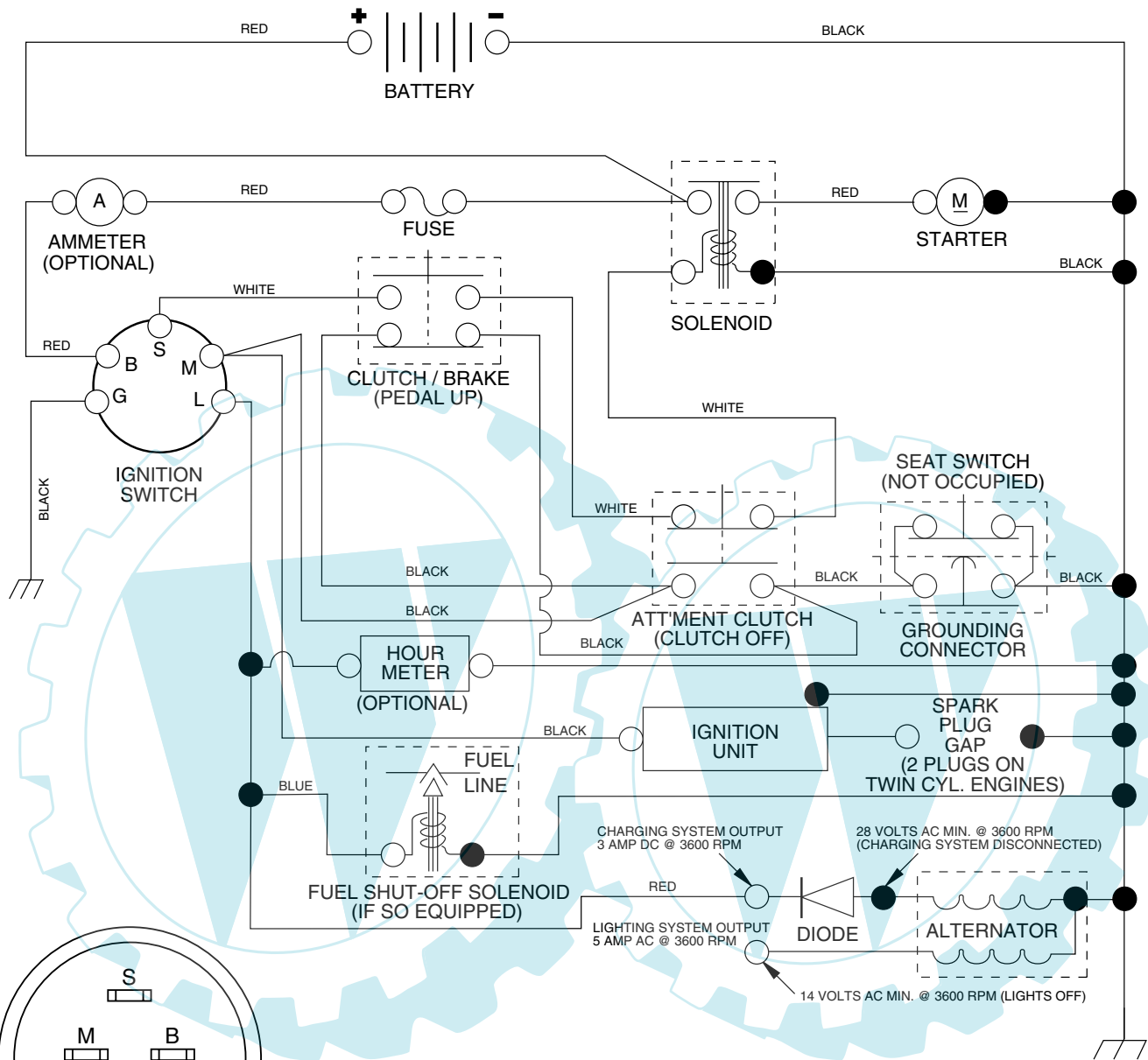
WHEELS & TIRES



| KEY NO. | PART NO. | DESCRIPTION |
|---------|--------------|-----------------------------------|
| 1 | 532 05 91-92 | Cap Valve Tire |
| 2 | 532 06 51-39 | Stem Valve |
| 3 | 532 12 41-57 | Tire F Ts 15 x 6 - 6 Service |
| 4 | 532 05 99-04 | Tube Front (Service Item Only) |
| 5 | 532 18 33-37 | Rim Asm 6" front Service |
| 6 | 532 12 49-57 | Fitting Grease (Front Wheel Only) |
| 7 | 532 12 49-59 | Bearing Flange (Front Wheel Only) |
| 8 | 532 18 33-38 | Rim Asm 8" rear Service |
| 9 | 532 12 39-69 | Tire R Ts 18 x 8.5-8 C. Service |
| 10 | 532 12 49-26 | Tube Rear (Service Item Only) |
| 11 | 532 17 50-39 | Cap Axle Blk 1 50 x 1 00 |

NOTE: All component dimensions given in U.S. inches
1 inch = 25.4 mm

**TRACTOR- -MODEL NO. FL1292 (96011007700) PRODUCT NO. 960 11 00-77
SCHEMATIC**



IGNITION SWITCH

| POSITION | CIRCUIT |
|----------|-----------|
| OFF | M + G |
| ON | B + L |
| START | B + S + L |

02492

WIRING INSULATED CLIPS

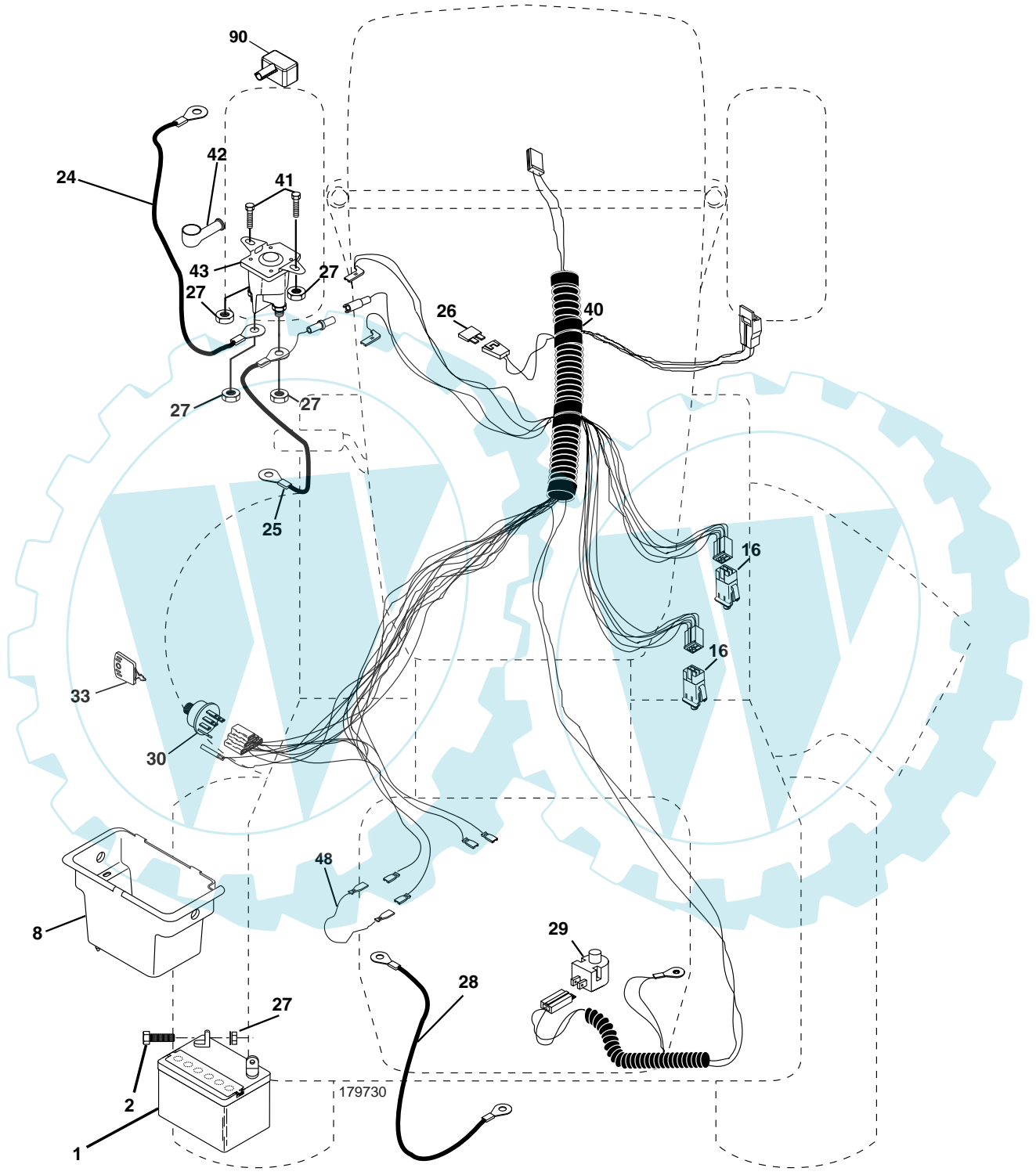
NOTE: IF WIRING INSULATED CLIPS WERE REMOVED FOR SERVICING OF UNIT, THEY SHOULD BE REPLACED TO PROPERLY SECURE YOUR WIRING.

●
NON-REMOVABLE CONNECTIONS

○
REMOVABLE CONNECTIONS

REPAIR PARTS

TRACTOR- -MODEL NO. FL1292 (96011007700) PRODUCT NO. 960 11 00-77
ELECTRICAL



REPAIR PARTS

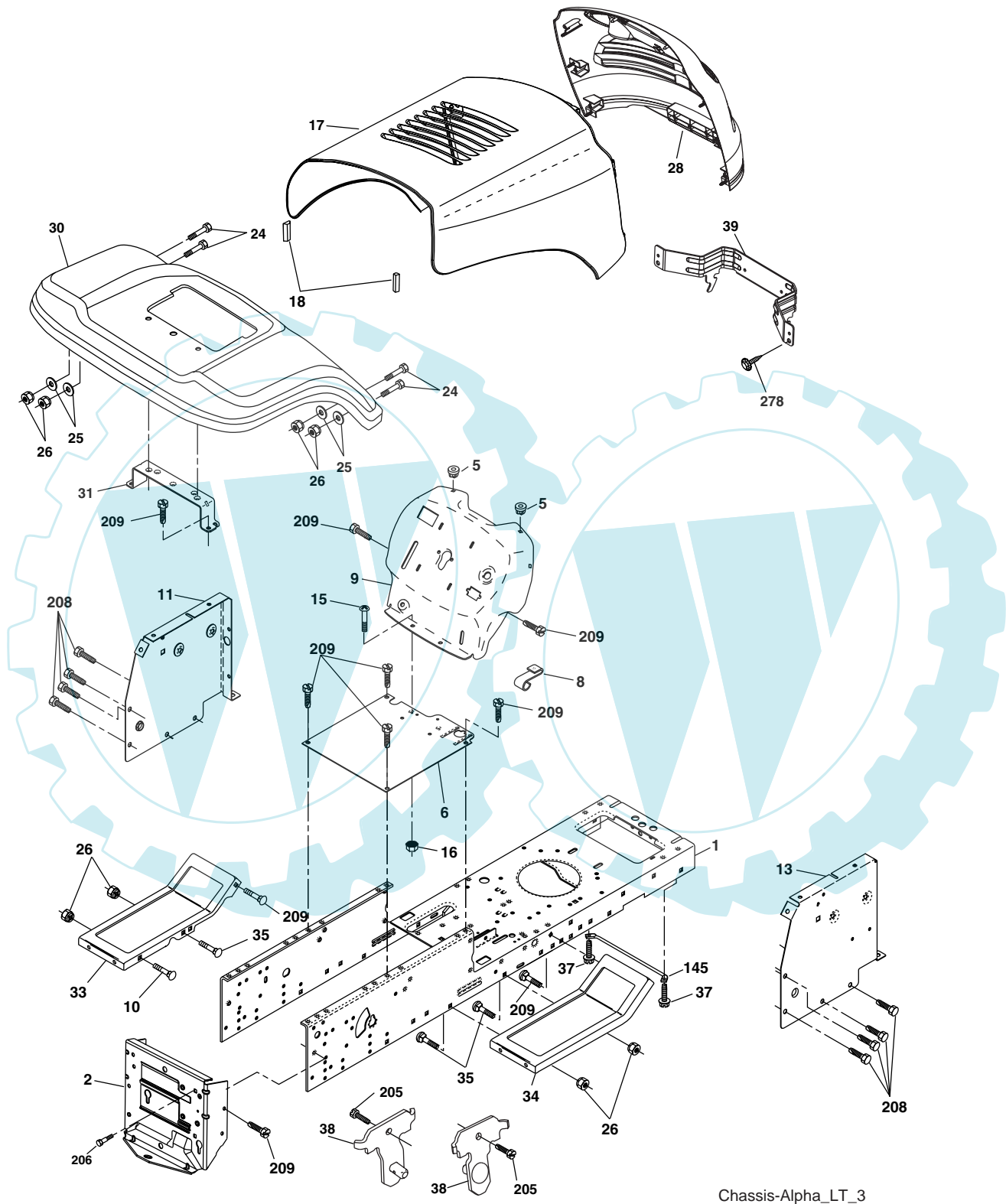
TRACTOR- -MODEL NO. FL1292 (96011007700) PRODUCT NO. 960 11 00-77
ELECTRICAL

| KEY NO. | PART NO. | DESCRIPTION |
|---------|--------------|---------------------------------|
| 1 | 532 16 34-65 | Battery |
| 2 | 874 76 04-12 | Bolt Hex Hd 1/4-20 unc x 3/4 |
| 8 | 532 17 66-89 | Box Battery Fender |
| 16 | 532 17 61-38 | Switch Interlock |
| 24 | 532 12 47-80 | Cable Battery 6 Ga 11" Red |
| 25 | 532 14 61-47 | Cable Battery 6 Ga Red w/16 wir |
| 26 | 532 17 51-58 | Fuse |
| 27 | 873 51 04-00 | Nut Keps Hex 1/4-20 unc |
| 28 | 532 12 47-73 | Cable Ground 6 Ga 12" black |
| 29 | 532 12 13-05 | Switch Plunger Nc Gray |
| 30 | 532 17 55-67 | Switch Ignition |
| 33 | 532 14 04-01 | Key |
| 40 | 532 17 97-30 | Harness Ignition |
| 41 | 871 11 04-08 | Bolt Blk Fin Hex 1/4 - 20 x 1/2 |
| 42 | 532 13 15-63 | Cover Terminal Red |
| 43 | 532 17 88-61 | Solenoid |
| 48 | 532 14 08-44 | Adapter Ammeter Rectangular |
| 90 | 532 18 04-49 | Cover Terminal Battery |

NOTE: All component dimensions given in U.S. inches.
1 inch = 25.4 mm.

REPAIR PARTS

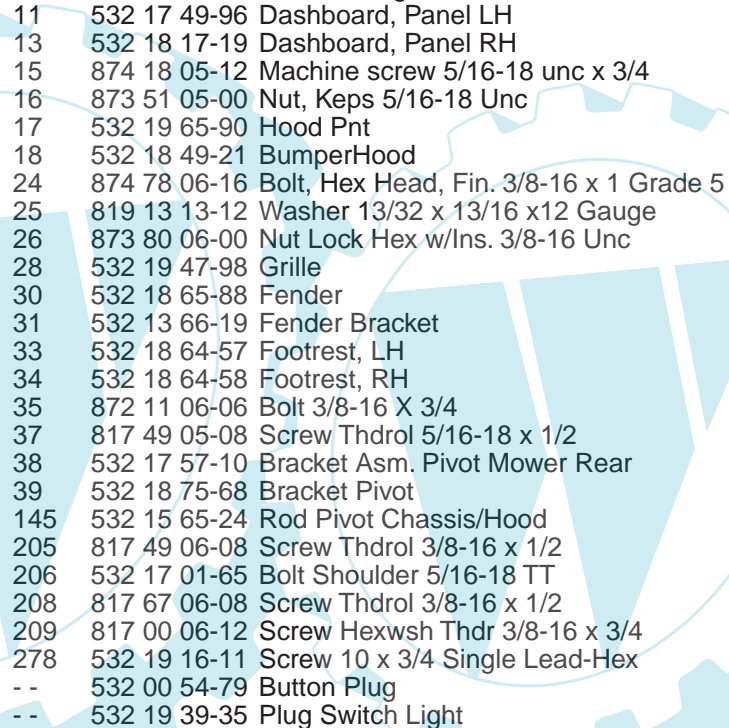
TRACTOR- -MODEL NO. FL1292 (96011007700) PRODUCT NO. 960 11 00-77
CHASSIS



Chassis-Alpha_LT_3

REPAIR PARTS

TRACTOR- -MODEL NO. FL1292 (96011007700) PRODUCT NO. 960 11 00-77
CHASSIS

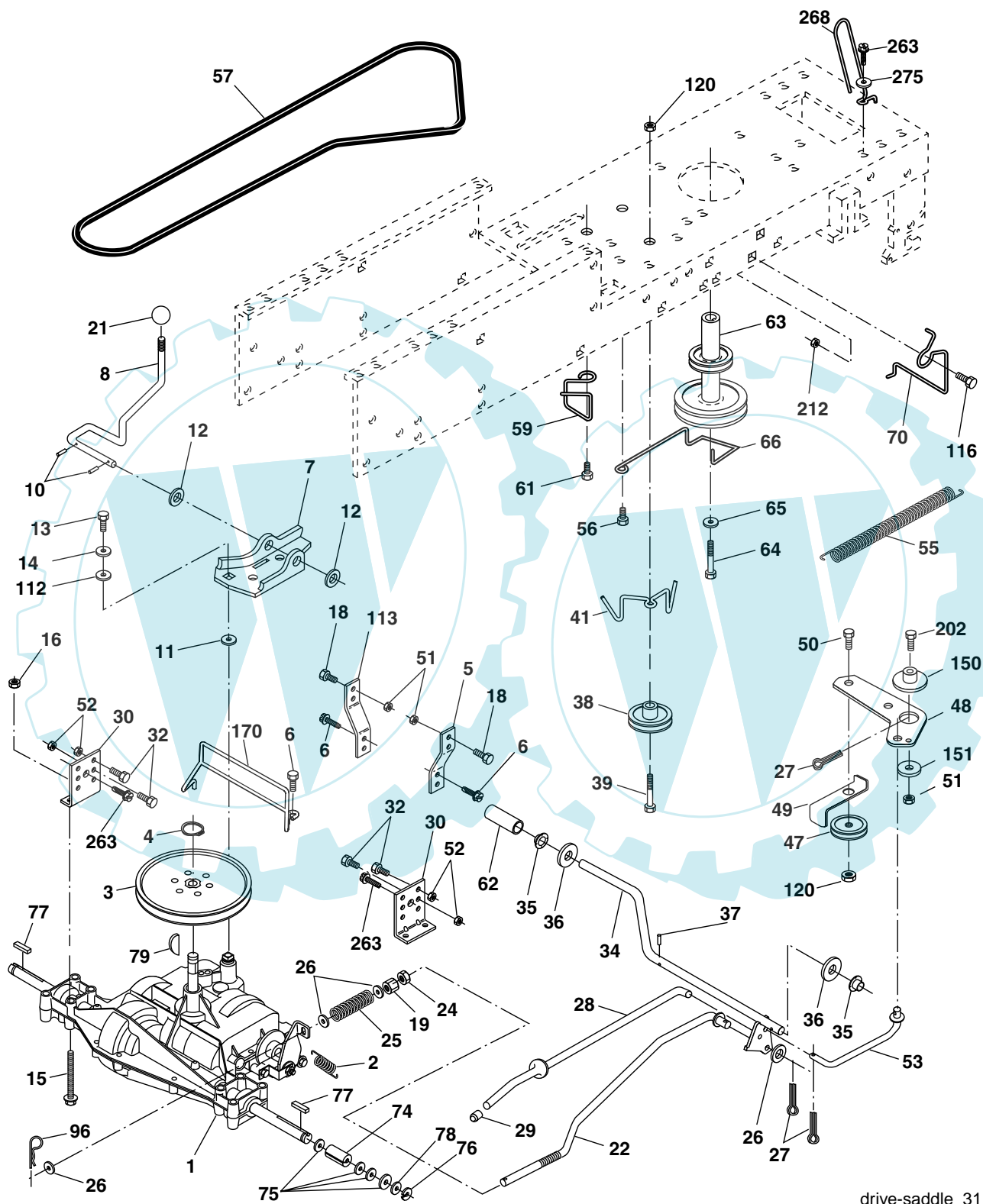


| KEY NO. | PART NO. | DESCRIPTION |
|---------|--------------|-----------------------------------------|
| 1 | 532 17 46-20 | Chassis |
| 2 | 532 17 65-54 | Drawbar |
| 5 | 532 15 52-72 | BumperHood/Dash |
| 6 | 532 18 25-34 | Saddle |
| 8 | 532 15 51-38 | Clip, Retainer Slide-On |
| 9 | 532 19 46-88 | Dash |
| 10 | 872 14 06-08 | Bolt, Carriage 3/8-16 x 1 |
| 11 | 532 17 49-96 | Dashboard, Panel LH |
| 13 | 532 18 17-19 | Dashboard, Panel RH |
| 15 | 874 18 05-12 | Machine screw 5/16-18 unc x 3/4 |
| 16 | 873 51 05-00 | Nut, Keps 5/16-18 Unc |
| 17 | 532 19 65-90 | Hood Pnt |
| 18 | 532 18 49-21 | BumperHood |
| 24 | 874 78 06-16 | Bolt, Hex Head, Fin. 3/8-16 x 1 Grade 5 |
| 25 | 819 13 13-12 | Washer 13/32 x 13/16 x12 Gauge |
| 26 | 873 80 06-00 | Nut Lock Hex w/Ins. 3/8-16 Unc |
| 28 | 532 19 47-98 | Grille |
| 30 | 532 18 65-88 | Fender |
| 31 | 532 13 66-19 | Fender Bracket |
| 33 | 532 18 64-57 | Footrest, LH |
| 34 | 532 18 64-58 | Footrest, RH |
| 35 | 872 11 06-06 | Bolt 3/8-16 X 3/4 |
| 37 | 817 49 05-08 | Screw Thdrol 5/16-18 x 1/2 |
| 38 | 532 17 57-10 | Bracket Asm. Pivot Mower Rear |
| 39 | 532 18 75-68 | Bracket Pivot |
| 145 | 532 15 65-24 | Rod Pivot Chassis/Hood |
| 205 | 817 49 06-08 | Screw Thdrol 3/8-16 x 1/2 |
| 206 | 532 17 01-65 | Bolt Shoulder 5/16-18 TT |
| 208 | 817 67 06-08 | Screw Thdrol 3/8-16 x 1/2 |
| 209 | 817 00 06-12 | Screw Hexwsh Thdr 3/8-16 x 3/4 |
| 278 | 532 19 16-11 | Screw 10 x 3/4 Single Lead-Hex |
| -- | 532 00 54-79 | Button Plug |
| -- | 532 19 39-35 | Plug Switch Light |

NOTE: All component dimensions given in U.S. inches.
1 inch = 25.4 mm.

REPAIR PARTS

TRACTOR- -MODEL NO. P1192 (96011004000) PRODUCT NO. 964 77 69-00
DRIVE



drive-saddle_31

REPAIR PARTS

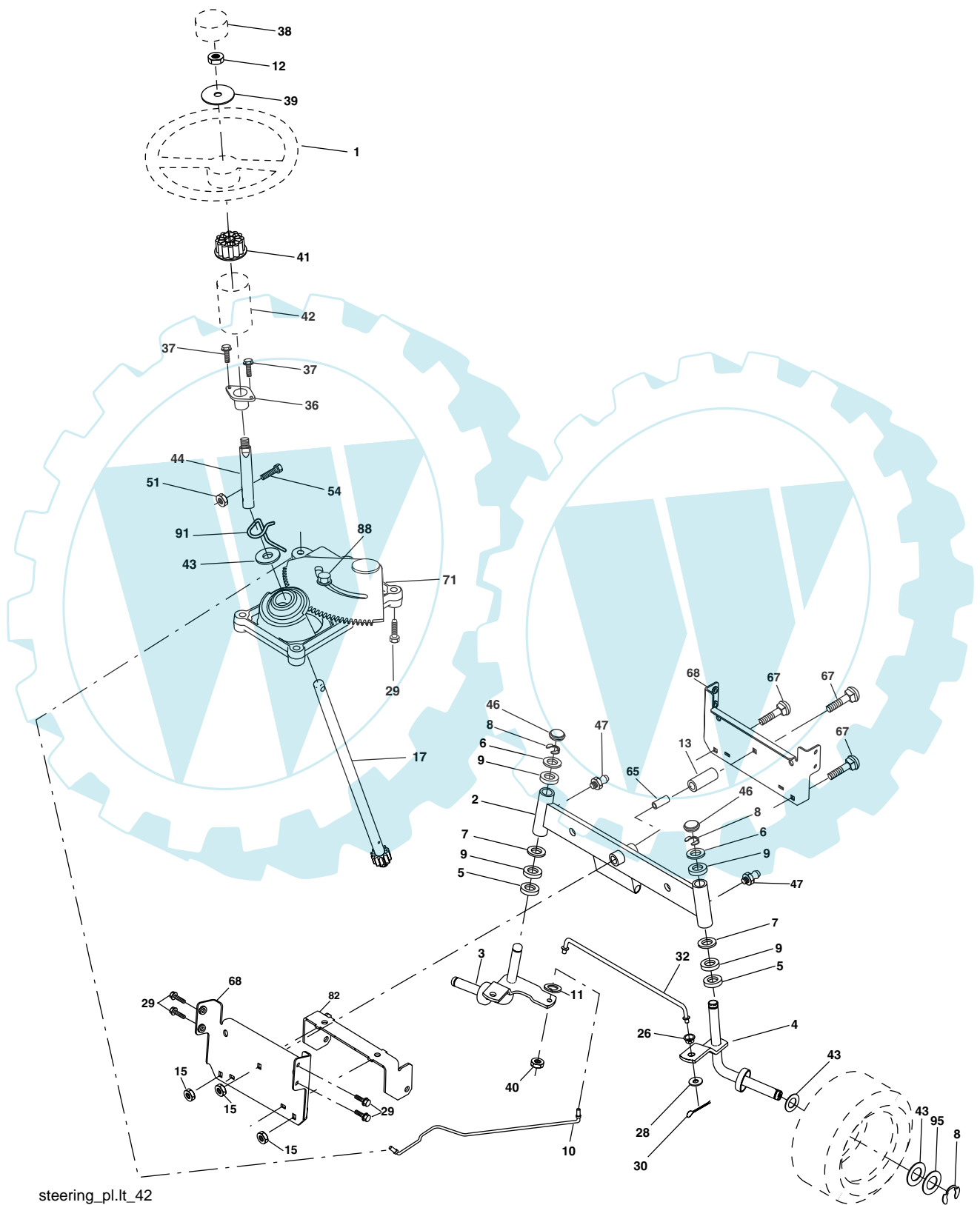
**TRACTOR- -MODEL NO. P1192 (96011004000) PRODUCT NO. 964 77 69-00
DRIVE**

| KEY NO. | PART NO. | DESCRIPTION | KEY NO. | PART NO. | DESCRIPTION |
|---------|--------------|---------------------------------------------------------------------------------------|---------|--------------|-------------------------------------|
| 1 | ----- | Transaxle Peerless, Model 205-544C (Order parts from transaxle manufacturer) | 47 | 532 12 77-83 | Pulley, Idler |
| 2 | 532 14 66-82 | Spring, Brake Return | 48 | 532 15 44-07 | Bellcrank Asm Clutch |
| 3 | 532 12 36-66 | Pulley, Transaxle | 49 | 532 12 32-05 | Retainer, Belt |
| 4 | 812 00 00-28 | Ring, Retainer | 50 | 872 11 06-12 | Bolt, Carr. Sh 3/8-16 x 1-1/2 Gr. 5 |
| 5 | 532 12 15-20 | Strap, Torque | 51 | 873 68 06-00 | Nut, Crownlock 3/8-16 |
| 6 | 817 00 05-12 | Screw, 5/16-18 x 3/4 SMGML | 52 | 873 68 05-00 | Nut, Crownlock 5/16-18 |
| 7 | 532 16 22-40 | Bracket, T/A, Saddle Shift | 53 | 532 10 57-10 | Link, Clutch |
| 8 | 532 13 16-79 | Rod, Shifter | 55 | 532 10 57-09 | Spring, Return, Clutch |
| 10 | 876 02 04-16 | Pin, Cotter 1/8 x 1 | 56 | 817 06 06-20 | Screw 3/8-16 x 1-1/4 |
| 11 | 532 10 57-01 | Washer, Shift Plate | 57 | 532 13 08-01 | V-Belt, Drive |
| 12 | 819 15 12-16 | Washer 15/32 x 3/4 x 16 | 59 | 532 16 96-91 | Keeper Belt Center Span |
| 13 | 874 55 04-12 | Bolt 1/4-28 UNF Gr. 8 w/Patch | 61 | 817 12 06-14 | Screw 3/8-16 x .875 |
| 14 | 810 04 04-00 | Washer Lock | 62 | 532 12 48-72 | Cover, Foot Pedal |
| 15 | 874 49 05-44 | Bolt, Hex Flghd 5/16-18 Gr. 5 | 63 | 532 18 02-19 | Pulley, Engine |
| 16 | 873 80 05-00 | Nut Lock 5/16-18 unc | 64 | 532 17 39-37 | Bolt, Hex 7/16-20 x 4 Gr. 5 |
| 18 | 874 78 06-16 | Bolt, Fin Hex 3/8-16 Unc x 1 Gr. 5 | 65 | 810 04 07-00 | Washer, Lock Hvy Hlcl Spr 7/16 |
| 19 | 873 80 06-00 | Locknut 3/8-16 | 66 | 532 15 47-78 | Keeper, Belt Engine F-Proof |
| 21 | 532 10 69-33 | Knob | 70 | 532 18 02-18 | Guide Belt Mower Drive RH |
| 22 | 532 13 08-04 | Rod, Brake | 74 | 532 13 70-57 | Spacer, Split |
| 24 | 873 35 06-00 | Nut, Hex Jam 3/8-16 | 75 | 532 12 17-49 | Washer 25/32 x 1-1/4 x 16 Ga. |
| 25 | 532 10 68-88 | Spring, Rod, Brake | 76 | 812 00 00-01 | E-Ring |
| 26 | 819 13 13-16 | Washer 13/32 x 13/16 x 16 Ga. | 77 | 532 12 35-83 | Key Square |
| 27 | 876 02 04-12 | Pin, Cotter 1/8 x 3/4 | 78 | 5321217-48 | Washer 25/32 x 1-5/8 x 16 Ga. |
| 28 | 532 17 57-65 | Rod, Brake, Park | 79 | 532 12 50-96 | Key Woodruff #9 3/16 x 3/4 |
| 29 | 532 07 16-73 | Cap, Plunger | 96 | 532 12 47-80 | Retainer Spring 1" Ziinc/Cad |
| 30 | 532 17 49-73 | Bracket, Transaxle, L.H. | 112 | 819 09 12-10 | Washer 9/32 x 3/4 x 10 Ga. |
| 32 | 874 76 05-12 | Bolt Hex Hd 5/16-18 unc x 3/4 | 113 | 532 12 72-85 | Strap Torque L.H. Lt |
| 34 | 532 17 55-78 | Shaft, Foot Pedal | 116 | 872 14 06-08 | Bolt RDHD SQNK 3/8-16unc x 1 |
| 35 | 532 12 01-83 | Bearing Nylon | 120 | 873 90 06-00 | Nut Lock Flg. 3/8-16 Unc |
| 36 | 819 21 16-16 | Washer 21/32 x 1 x 16 Ga. | 150 | 532 17 54-56 | SpacerRetainer |
| 37 | 532 12 49-63 | Pin,Roll 3/16 x 1 | 151 | 819 13 32-10 | Washer 13/32 x 2 x 10 Ga. |
| 38 | 532 17 91-14 | Pulley Idler | 170 | 532 18 74-14 | Keeper, Belt, Transaxle |
| 39 | 872 11 06-22 | Bolt 3/8-16 unc x 2-3/4 Gr. 5 | 202 | 872 11 06-14 | Bolt Carr Sh 3/8-16 x 1-3/4 Gr. 5 |
| 41 | 532 17 55-56 | Keeper, Belt | 212 | 532 14 52-12 | Nut Hex Flange Lock |
| | | | 263 | 817 00 06-12 | Screw, 3/8-16 x 3/4 SMGML |
| | | | 268 | 532 18 24-02 | Guard Muffler |
| | | | 275 | 819 13 16-14 | Washer 13/32 x 1 x 14 Ga. |

NOTE: All component dimensions given in U.S. inches
1 inch = 25.4 mm

REPAIR PARTS

TRACTOR- -MODEL NO. FL1292 (96011007700) PRODUCT NO. 960 11 00-77
STEERING ASSEMBLY



steering_pl.it_42

REPAIR PARTS

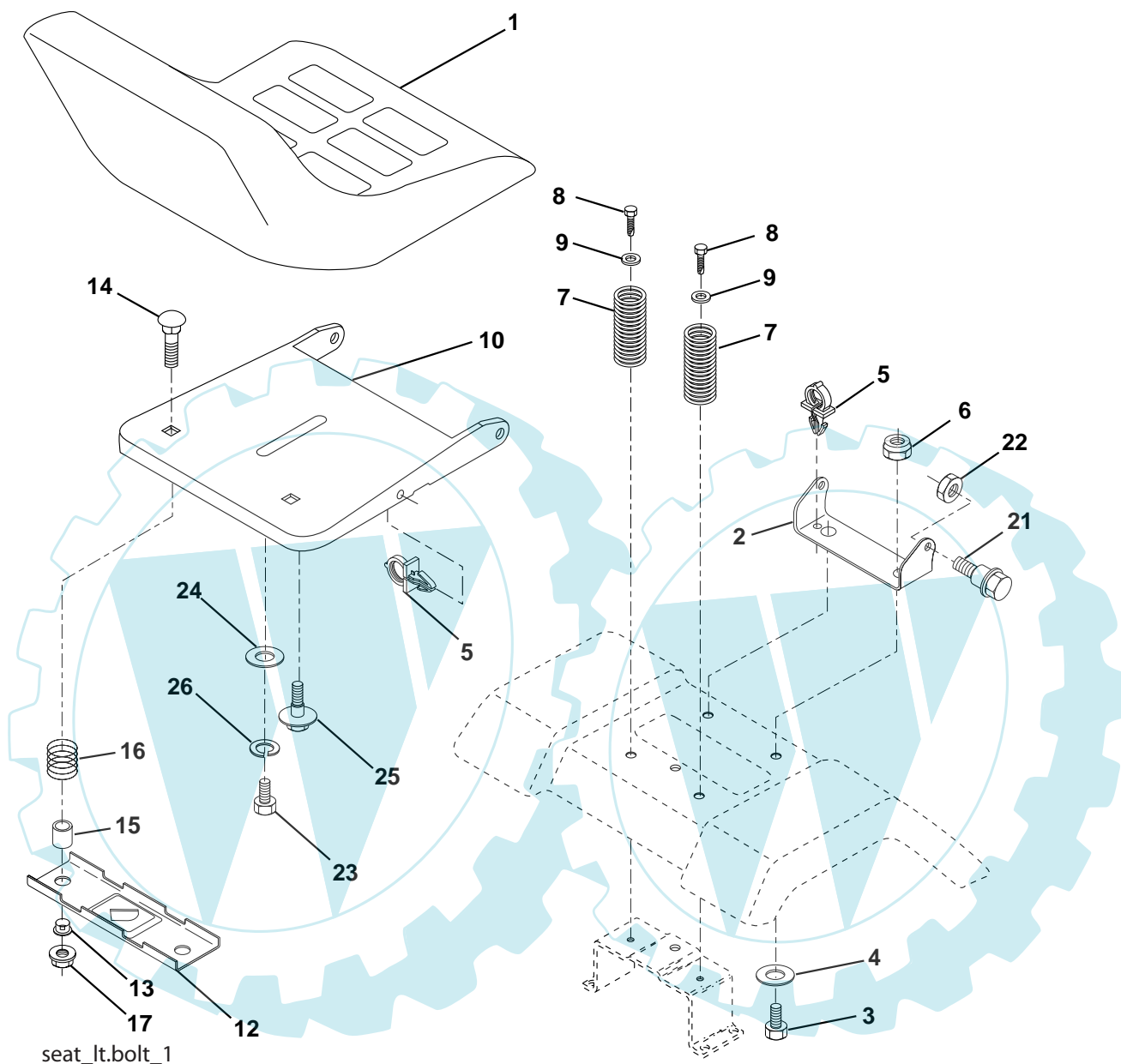
TRACTOR- -MODEL NO. FL1292 (96011007700) PRODUCT NO. 960 11 00-77
STEERING ASSEMBLY

| KEY NO. | PART NO. | DESCRIPTION |
|---------|--------------|----------------------------------|
| 1 | 532 18 67-80 | Wheel Steering Opp. Blk |
| 2 | 532 17 51-31 | Axle Asm |
| 3 | 532 16 98-40 | Spindle Asm LH |
| 4 | 532 16 98-39 | Spindle Asm RH |
| 5 | 5321249-31 | Bearing Race Thrust Harden |
| 6 | 532 12 17-48 | Washer 25/32 x 1-5/8 x 16 Ga. |
| 7 | 819 27 20-16 | Washer 27/32 x 1-1/4 x 16 Ga. |
| 8 | 812 00 00-29 | Ring Klip #t5304-75 |
| 9 | 532 12 49-37 | Bearing Col Strg Blk |
| 10 | 532 17 51-21 | Link Drag |
| 11 | 810 04 06-00 | Washer Lock Hvy Hlcl Spr 3/8 |
| 12 | 873 94 08-00 | Nut Hex Jam Toplock 1/2-20 |
| 13 | 532 13 65-18 | Spacer Brace Axle |
| 15 | 532 14 52-12 | Nut Hexflange Lock |
| 17 | 532 18 06-41 | Shaft Asm Strg |
| 26 | 532 12 68-47 | Bushing Link Drag Blk LR |
| 28 | 819 13 14-16 | Washer 13/32 x 7/8 x 16 Ga. |
| 29 | 817 00 06-12 | Screw 3/8-16 x .75 |
| 30 | 876 02 04-12 | Pin Cotter 1/8 x 3/4 Cad |
| 32 | 532 19 27-57 | Rod Tie Wire Form 19 75 Mech |
| 36 | 532 15 50-99 | Bushing Strg Nat .623/.618ld |
| 37 | 532 15 29-27 | Screw TT #10-32 x 5 x 3/8 Flange |
| 38 | 532 19 29-16 | Cap Wheel Steer |
| 39 | 819 18 38-12 | Washer 9/16 x 2-3/8 |
| 40 | 873 54 06-00 | Nut Crownlock 3/8-24 |
| 41 | 532 18 67-37 | Adaptor Wheel Strg |
| 42 | 532 16 96-33 | Boot Shaft Steering |
| 43 | 532 12 17-49 | Washer 25/32 X 1 1/4 X 16 Ga. |
| 44 | 532 18 06-40 | Extension Steering |
| 46 | 532 12 12-32 | Cap Spindle Fr Top Blk |
| 47 | 532 18 32-26 | Fitting Grease |
| 51 | 873 54 04-00 | Nut 1/4-28 |
| 54 | 871 13 04-20 | Bolt Hex 1/4-28 x 1-1/4 |
| 65 | 532 16 03-67 | Spacer Brace Axle |
| 67 | 872 11 06-18 | Bolt RDHD SQ 3/8-16 UNC x 2-1/4 |
| 68 | 532 16 98-27 | Brace Axle |
| 71 | 532 17 51-46 | Steering Asm |
| 82 | 532 16 98-35 | Bracket Susp. Chassis Front |
| 88 | 532 17 51-18 | Bolt Shoulder 7/16-20 |
| 91 | 532 17 55-53 | Cup Steering |
| 95 | 532 18 89-67 | Washer Hardened |

NOTE: All component dimensions given in U.S. inches.
1 inch = 25.4 mm.

REPAIR PARTS

TRACTOR- -MODEL NO. FL1292 (96011007700) PRODUCT NO. 960 11 00-77
SEAT ASSEMBLY



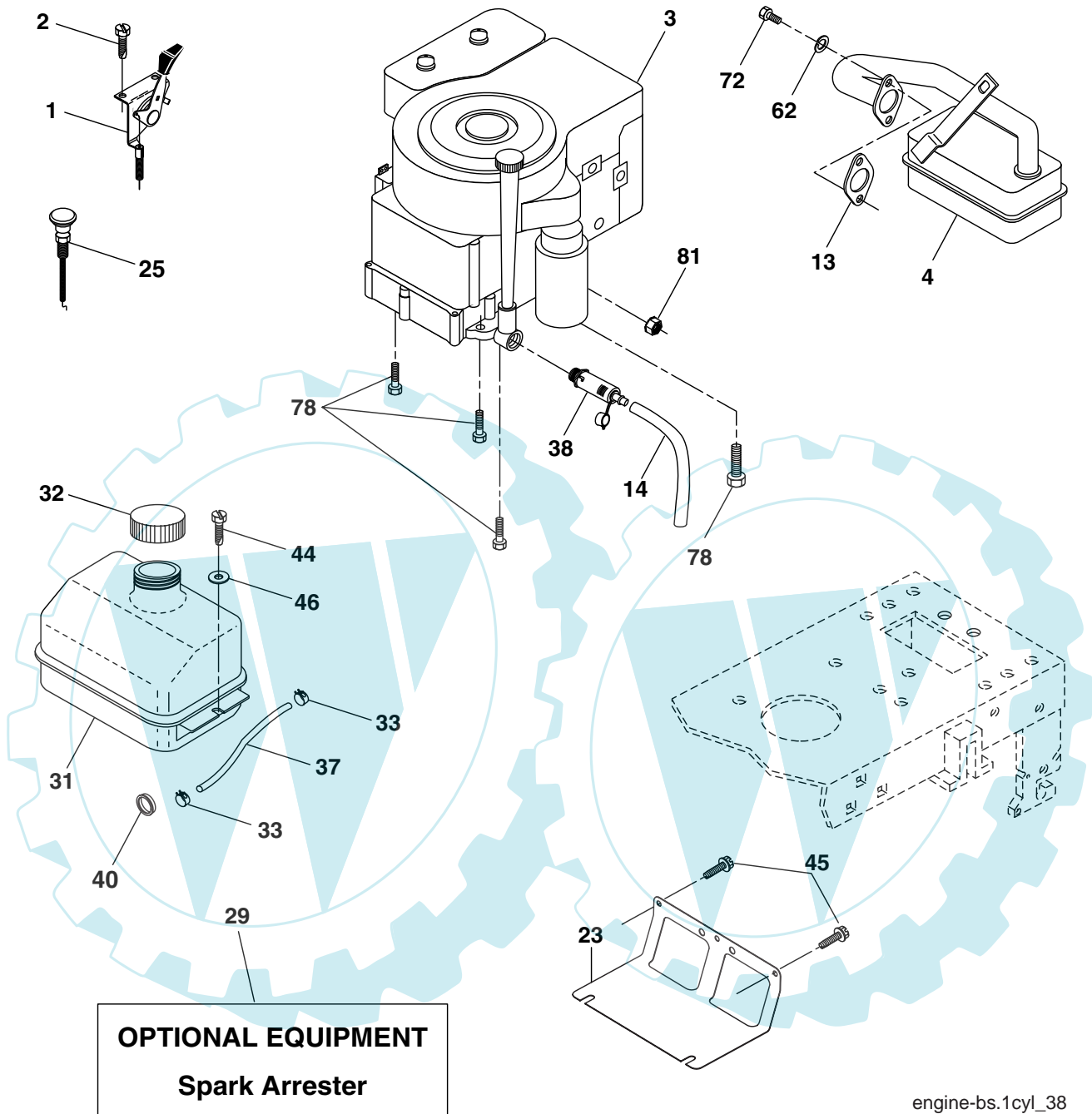
| KEY NO. | PART NO. | DESCRIPTION |
|---------|--------------|---------------------------------|
| 1 | 532 17 53-89 | Seat |
| 2 | 532 14 05-51 | Bracket Pivot Seat 8 720 |
| 3 | 871 11 06-16 | Bolt Fin Hex 3/8-16unc x 1 |
| 4 | 819 13 16-10 | Washer 13/32 x 1 x 10 Ga |
| 5 | 532 14 50-06 | Clip Push-In |
| 6 | 873 80 06-00 | Nut Lock Hex w/Wsh 3/8-16 Unc |
| 7 | 532 12 41-81 | Spring Seat Cprsn 2 250 Blk Zi |
| 8 | 817 00 06-16 | Screw 3/8-16 x 1.5 |
| 9 | 819 13 16-14 | Washer 13/32 x 1 x 14 Ga. |
| 10 | 532 18 24-93 | Pan Seat |
| 12 | 532 12 12-46 | Bracket Mounting Switch |
| 13 | 532 12 12-48 | Bushing Snap Blk Nyl 50 Id |
| 14 | 872 05 04-12 | Bolt Rdhd Sht Nk 1/4-20 x 1-1/2 |

| KEY NO. | PART NO. | DESCRIPTION |
|---------|--------------|-----------------------------------|
| 15 | 532 13 43-00 | Spacer Split 28 x 96 Yel Zinc |
| 16 | 532 12 12-50 | Spring Cprsn 1 27 Blk Pnt |
| 17 | 532 12 39-76 | Nut Lock 1/4 Lge Flg Gr 5 Zinc |
| 21 | 532 17 18-52 | Bolt Shoulder 5/16-18 Unc -2A |
| 22 | 873 80 05-00 | Nut Lock Hex W/Insert 5/16-18 UNC |
| 23 | 871 11 08-14 | Bolt Hex |
| 24 | 819 17 19-12 | Washer 17/32 x 1-3/16 x 12 Ga. |
| 25 | 532 12 70-18 | Bolt Shoulder 5/16-18 x 62 |
| 26 | 810 04 08-00 | Washer Lock Hvy HLCLSPR 1/2 |

NOTE: All component dimensions given in U.S. inches.
1 inch = 25.4 mm

REPAIR PARTS

TRACTOR- -MODEL NO. FL1292 (96011007700) PRODUCT NO. 960 11 00-77
ENIGNE



engine-bs.1cyl_38

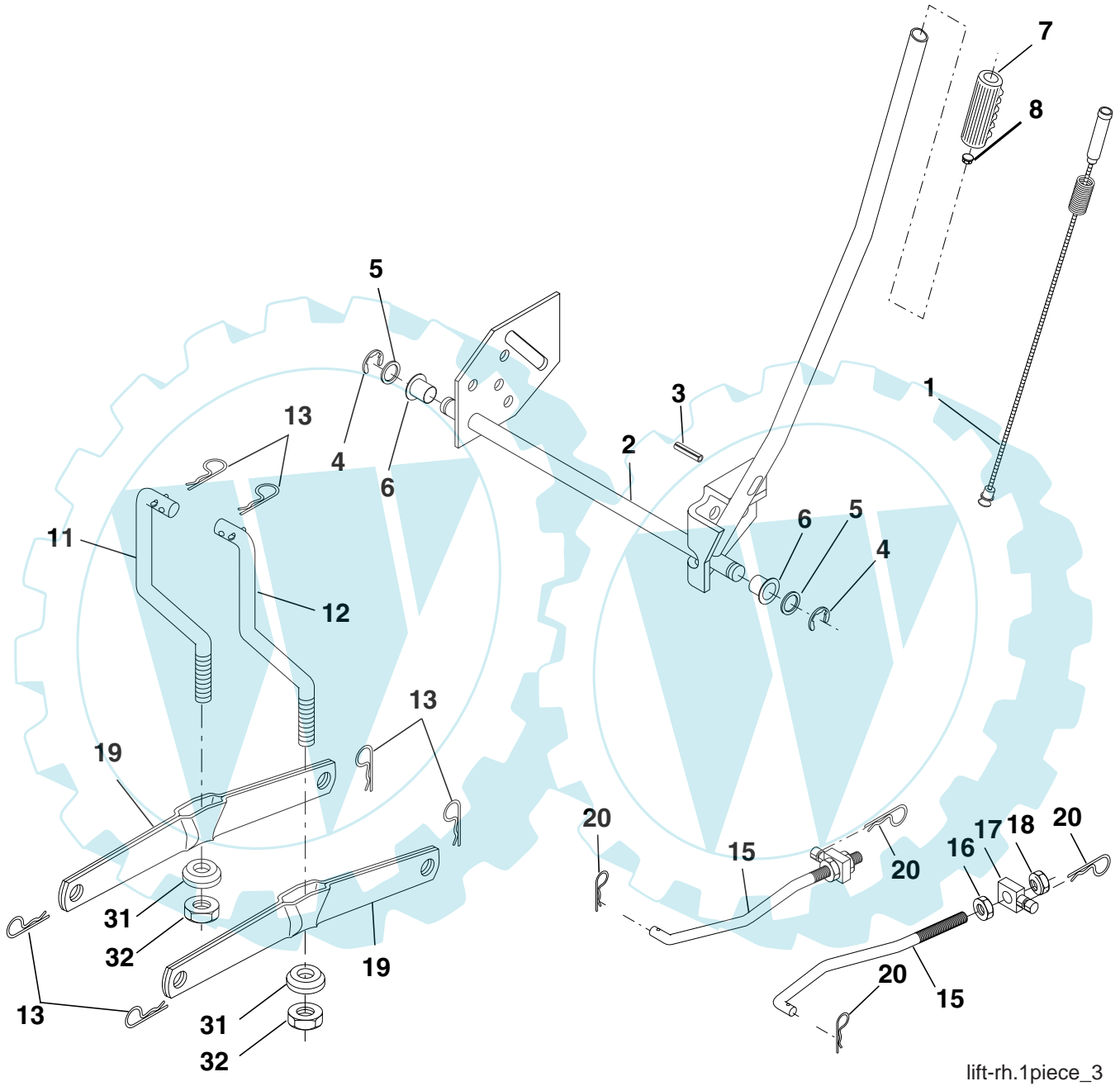
| KEY NO. | PART NO. | DESCRIPTION |
|---------|--------------|-----------------------------------------------------------------------|
| 1 | 532 17 05-51 | Control Th/ch Flag |
| 2 | 817 72 04-08 | Screw Hex Thd Cut 1/4-20 x 1/2 |
| 3 | ----- | Engine B&S Model No. 219707 (Order parts from engine manufacturer) |
| 4 | 532 17 97-58 | Muffler |
| 13 | 532 16 52-91 | Gasket Eng |
| 14 | 532 14 84-56 | Tube Drain Oil Easy |
| 23 | 532 16 98-37 | Shield Brn/Dbt Guard |
| 25 | 532 19 06-95 | Control Choke |
| 29 | 532 13 71-80 | Kit Spark Arrester |
| 31 | 532 18 77-50 | Tank Fuel Front 1.25 |
| 32 | 532 14 05-27 | Cap Asm Fuel W/sym Vented |
| 33 | 532 12 34-87 | Clamp Hose Blk |

| KEY NO. | PART NO. | DESCRIPTION |
|---------|--------------|----------------------------------|
| 37 | 532 13 70-40 | Line Fuel 20" |
| 38 | 532 18 16-54 | Plug Oil Drain Easy |
| 40 | 532 12 40-28 | Bushing Snap Nyl Blk Fuel Line |
| 44 | 817 67 04-12 | Screw Hexwsh Thdrol 1/4-20 x 3/4 |
| 45 | 817 00 06-12 | Screw Hexwsh Thdrol 3/8-16 x 3/4 |
| 46 | 819 09 14-16 | Washer 9/32 x 7/8 x 16 Ga. |
| 62 | 810 04 05-00 | Washer Lock 5/16 |
| 72 | 871 07 05-12 | Screw 5/16-18 x 3/4 |
| 78 | 817 06 06-20 | Screw 3/8-16 x 1-1/4 |
| 81 | 873 51 04-00 | Nut Keps Hex 1/4-20 UNC |

NOTE: All component dimensions given in U.S. inches
1 inch = 25.4 mm

REPAIR PARTS

TRACTOR- -MODEL NO. FL1292 (96011007700) PRODUCT NO. 960 11 00-77
MOWER LIFT



lift-rh.1piece_3

REPAIR PARTS

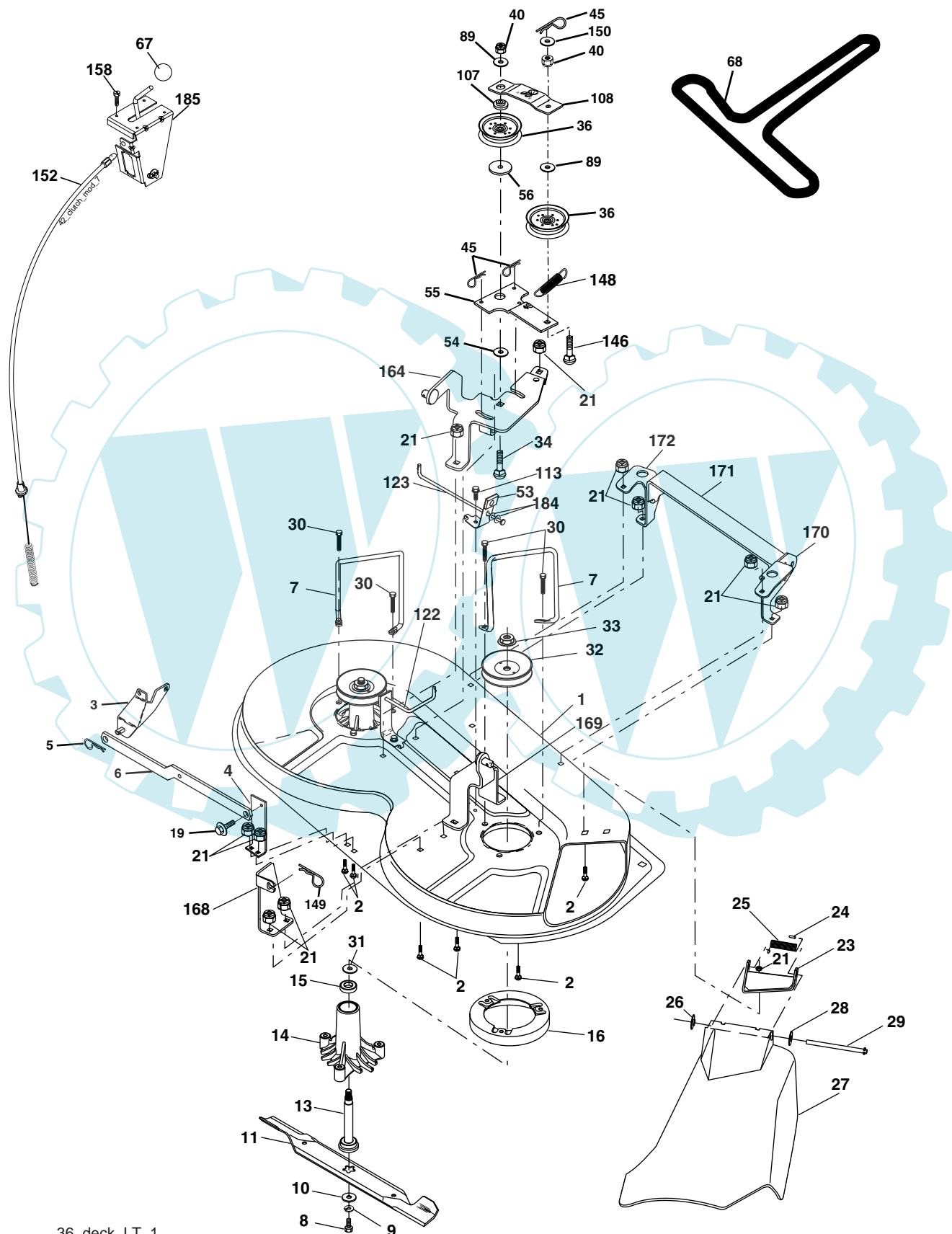
TRACTOR- -MODEL NO. FL1292 (96011007700) PRODUCT NO. 960 11 00-77
MOWER LIFT

| KEY NO. | PART NO. | DESCRIPTION |
|---------|--------------|-------------------------------|
| 1 | 532 15 94-60 | Wire Asm Inner W/Plunger |
| 2 | 532 15 94-71 | Shaft Asm Lift |
| 3 | 532 10 57-67 | Pin Groove |
| 4 | 812 00 00-02 | E Ring #5133-62 |
| 5 | 819 21 16-21 | Washer PLTD 21/32 x 1 x 21Ga |
| 6 | 532 12 01-83 | Bearing Nylon Blk 629 Id |
| 7 | 532 10 94-13 | Grip Handle Bicycle Matte Blk |
| 8 | 532 12 45-26 | Button Plunger Black |
| 11 | 532 13 98-65 | Link Lift LH |
| 12 | 532 13 98-66 | Link Lift RH |
| 13 | 532 12 46-70 | Retainer Spring |
| 15 | 532 17 32-88 | Link Front |
| 16 | 873 35 08-00 | Nut Jam Hex 1/2-13 Unc |
| 17 | 532 17 56-89 | Trunnion |
| 18 | 873 80 08-00 | Nut Lock W/Wsh 1/2-13 Unc |
| 19 | 532 13 98-68 | Arm Suspension Rear |
| 20 | 532 16 35-52 | Retainer Spring |
| 31 | 532 16 98-65 | Bearing Pvt Lift |
| 32 | 873 54 06-00 | Nut Crownlock 3/8-24 |

NOTE: All component dimensions given in U.S. inches
1 inch = 25.4 mm

REPAIR PARTS

TRACTOR- -MODEL NO. FL1292 (96011007700) PRODUCT NO. 960 11 00-77
MOWER



36_deck_LT_1

16

REPAIR PARTS

TRACTOR- -MODEL NO. FL1292 (96011007700) PRODUCT NO. 960 11 00-77
MOWER

| KEY NO. | PART NO. | DESCRIPTION | KEY NO. | PART NO. | DESCRIPTION |
|---------|--------------|---------------------------------|---------|--------------|------------------------------------------------------------------------------------------|
| 1 | 532 17 45-95 | Mower Deck Assembly | 54 | 532 17 85-15 | Washer,Hardened |
| 2 | 872 14 05-06 | Bolt | 55 | 532 13 38-40 | Idler Arm Assembly |
| 3 | 532 13 80-17 | Bracket Assembly,Sway Bar | 56 | 532 16 57-23 | Spacer, Retainer |
| 4 | 532 17 56-54 | Bracket Sway Bar | 67 | 532 10 69-32 | Knob RD 3/8-16 Plstc Thd |
| 5 | 532 12 46-70 | Retainer Spring | 68 | 532 18 02-13 | Belt |
| 6 | 532 17 80-24 | Bar Sway Deck | 89 | 819 13 13-11 | Washer 13/32 x 13/16 x 1 Ga |
| 7 | 532 14 06-08 | Keeper Belt | 107 | 532 13 35-02 | Spacer, Retainer |
| 8 | 532 85 08-57 | Bolt, Hex 3/8-24 x 1.25 Gr. 8 | 108 | 532 13 35-03 | Stiffener, Idler Arm |
| 9 | 810 03 06-00 | Washer, Lock Hvy Hlcl 3/8 | 113 | 817 49 05-08 | Screw Thdrol 5/16-18 x 1/2 |
| 10 | 532 14 02-96 | Washer,Hardened | 122 | 532 17 45-05 | Rod, Brake, LH |
| 11 | 532 13 84-96 | Blade, Mower | 123 | 532 17 45-04 | Rod, Brake, RH |
| 13 | 532 13 76-45 | Shaft Assembly, Mandrel, Vented | 146 | 532 16 58-91 | Bolt Carriage Idler |
| 14 | 532 12 87-74 | Housing, Mandrel, Vented | 148 | 532 16 90-22 | Spring Return Idler |
| 15 | 532 11 04-85 | Bearing, Ball, Mandrel | 149 | 532 16 58-98 | Retainer Spring Yellow Zinc |
| 16 | 532 17 44-93 | Stripper, Mower Deck | 150 | 819 09 12-10 | Washer 9/32 x 3/4 x 10 Ga. |
| 19 | 532 13 28-27 | Bolt, Shoulder | 152 | 532 17 60-79 | Cable Clutch |
| 21 | 873 68 05-00 | Nut Crownlock 5/16-18 | 158 | 817 72 04-08 | Screw Hex Thd Cut 1/4-20 x 1/2 |
| 23 | 532 13 66-31 | Bracket, Mower Deflector | 164 | 532 17 49-76 | Bracket Asm Idler Support |
| 24 | 532 10 53-04 | Cap, Sleeve | 168 | 532 17 23-77 | Bracket Deck Cable |
| 25 | 532 12 37-13 | Spring, Torsion, Deflector | 169 | 532 17 49-77 | Bracket Asm Suspension |
| 26 | 532 11 04-52 | Nut, Push | 170 | 532 17 23-59 | Bracket Suspension RF |
| 27 | 532 17 61-62 | Shield, Deflector | 171 | 532 16 52-37 | Brace Support Susp. Frt |
| 28 | 819 11 10-16 | Washer 11/32 x 5/8 x 16 Ga. | 172 | 532 17 23-55 | Bracket Suspension LF |
| 29 | 532 12 19-80 | Rod, Hinge | 184 | 819 13 14-10 | Washer 13/32 x 7/8 x 10 Ga. |
| 30 | 532 17 39-84 | Screw Thdrol | 185 | 532 18 82-34 | Head Asm Cable Clutch |
| 31 | 532 18 76-90 | Washer, Spacer | -- | 532 13 07-94 | Mandrel Assembly (Includes Housing, Shaft and Shaft Hardware Only - Pulley Not Included) |
| 32 | 532 15 35-31 | Pulley, Mandrel | -- | 532 18 13-76 | Replacement Mower,Complete |
| 33 | 532 17 83-42 | Nut, Toplock, Flanged | | | |
| 34 | 872 11 06-14 | Bolt Rdhd 3/8-16 x 1-3/4 | | | |
| 36 | 532 13 14-94 | Pulley, Idler, Flat | | | |
| 40 | 873 68 06-00 | Nut Crownlock 3/8-16 | | | |
| 45 | 532 12 47-88 | Retainer, Spring | | | |
| 53 | 532 13 08-40 | Brake Assembly | | | |

NOTE: All component dimensions given in U.S. inches
1 inch = 25.4 mm